

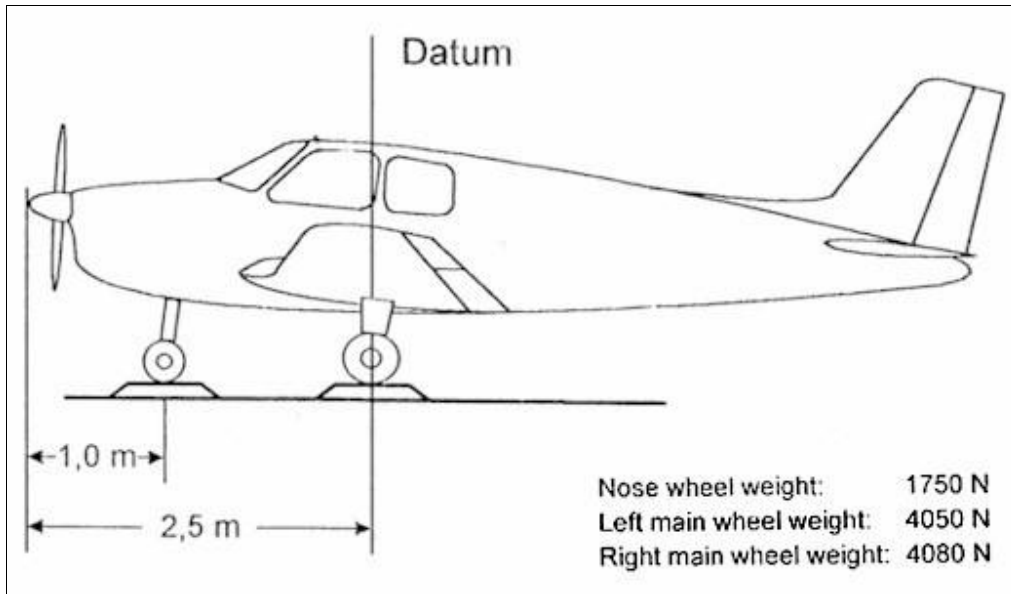
FLIGHT THEORY



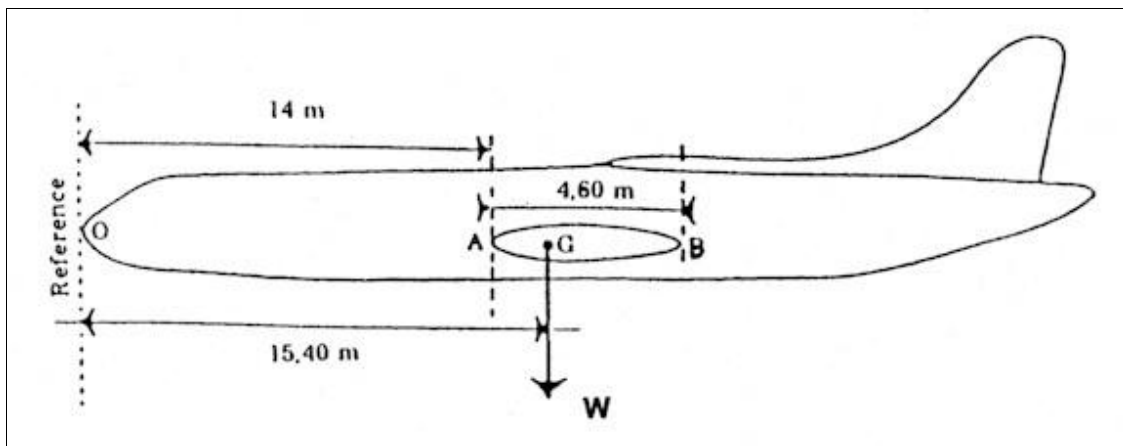
CPL(A) ANNEXES 031

Rev. W

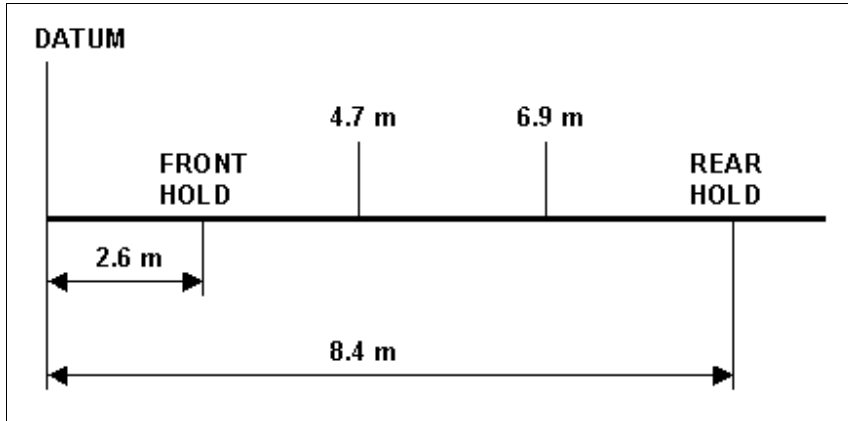
031-1569 A



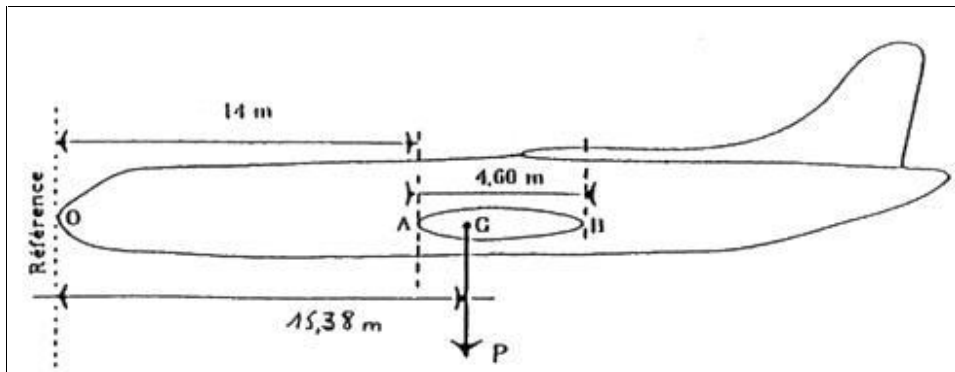
031-1580 A



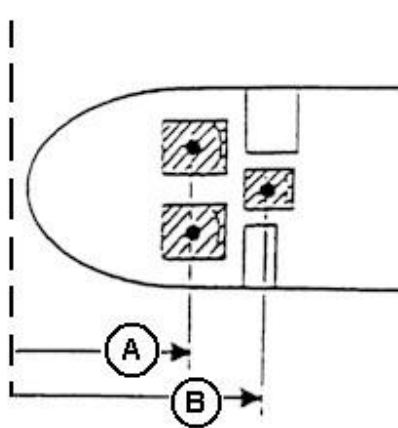
[031-2946 A](#)



[031-11219 A, 031-11227 A](#)



[031-11590 A, 11605 A](#)

CREW - MASSES AND LONGITUDINAL MOMENTS			
 <p>A = 2,045 m B = 2,690 m</p>	UNITS		
	Masses (kg)	Mass moments (kg.m)	
		A	B
50	102	134	
60	123	161	
70	143	188	
80	164	215	
90	184	242	
100	204	269	
110	225	296	
120	245	323	
130	266	-	
140	286	-	
150	307	-	
160	327	-	
170	348	-	
180	368	-	
190	389	-	

[031-11634 A](#)

Passengers seats:	20 and more		30 and more All adult
	Male	Female	
All flights except holiday charts	88 kg	70 kg	84 kg
Holiday charts	83 kg	69 kg	76 kg
Children	35 kg	35 kg	35 kg