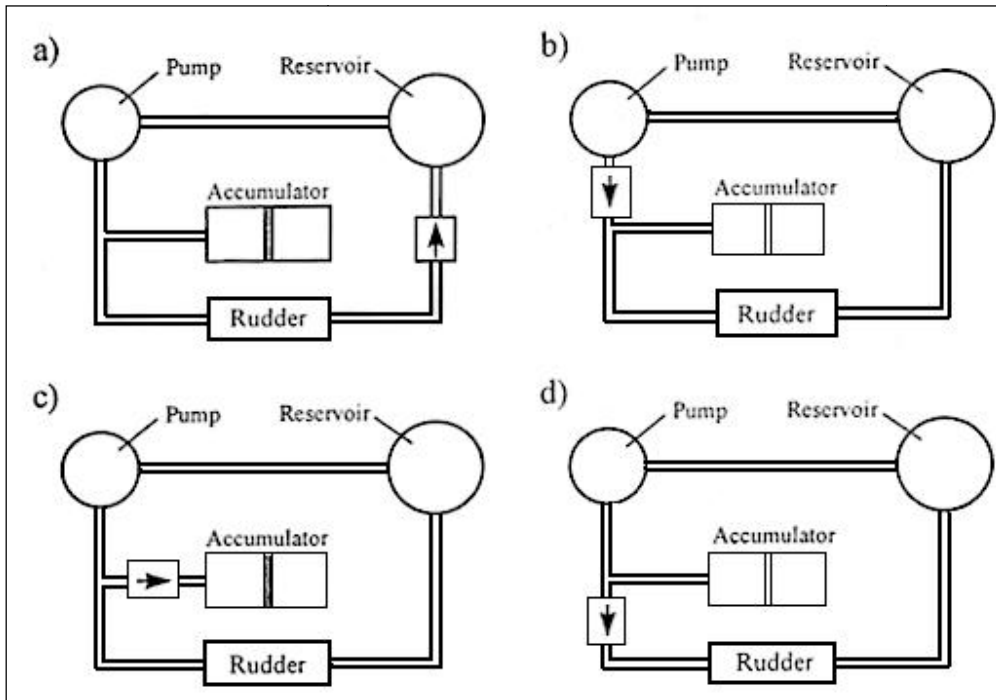


FLIGHT THEORY

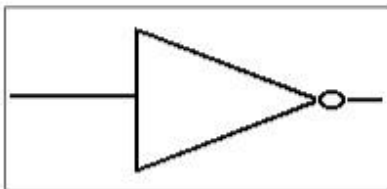


CPL(A) ANNEXES 021

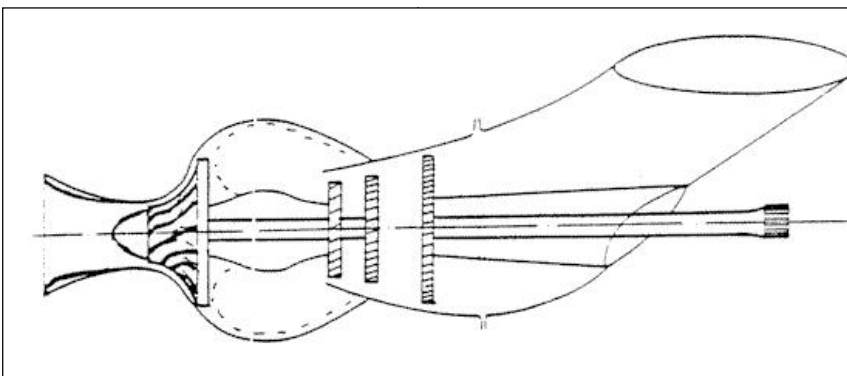
021-5248 A



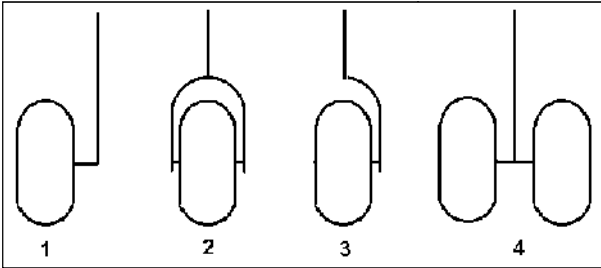
021 – 6660



021-11474 A



021-11494 A



021-11507 A

